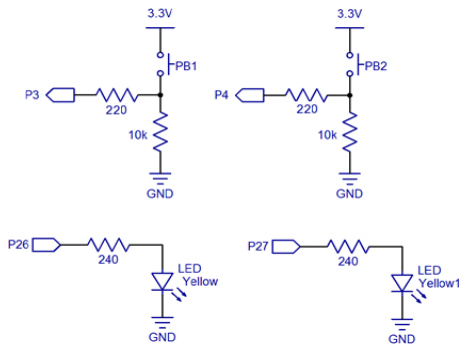
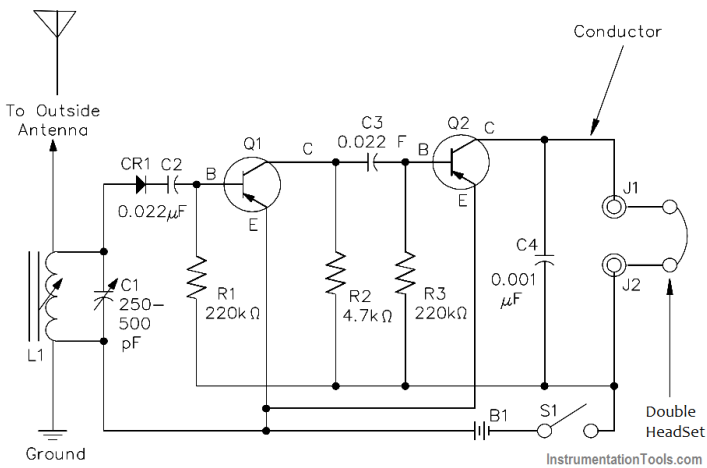


# The Schematic Diagram

A schematic diagram is like an electrical blueprint. It shows each device or component as a special symbol and connections are shown as straight wires. If wires crossing are connected, a dot is placed at the connection. If they cross without connection, there is no dot.

Schematic diagrams are always drawn very neatly.



[Click here for some schematic symbols.](#)