

Distributed by:

**JAMECO**<sup>®</sup>  
ELECTRONICS

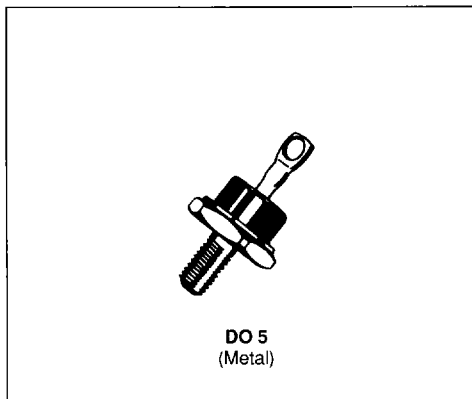
**www.Jameco.com ♦ 1-800-831-4242**

The content and copyrights of the attached  
material are the property of its owner.

Jameco Part Number 35924ST

**RECTIFIER DIODES**

- STANDARD RECTIFIER
- HIGH SURGE CURRENT CAPABILITY
- LOW FORWARD VOLTAGE DROP


**ABSOLUTE RATINGS** (limiting values)

Symbol	Parameter		Value	Unit
$I_{F(AV)}$	Average Forward Current*	$T_c = 140^\circ\text{C}$	40	A
$I_{FSM}$	Surge non Repetitive Forward Current	$t_p = 10\text{ms}$ Sinusoidal	700	A
$P_{tot}$	Power Dissipation*	$T_c = 140^\circ\text{C}$	44	W
$T_{stg}$ $T_j$	Storage and Junction Temperature Range		- 55 to 175	$^\circ\text{C}$

Symbol	Parameter	1N									Unit
		1183	1184	1186	1187	1188	1189	1190	3766	3768	
$V_{RRM}$	Repetitive Peak Reverse Voltage	50	100	200	300	400	500	600	800	1000	V

**THERMAL RESISTANCE**

Symbol	Parameter	Value	Unit
$R_{th(j-c)}$	Junction-case	0.8	$^\circ\text{C/W}$

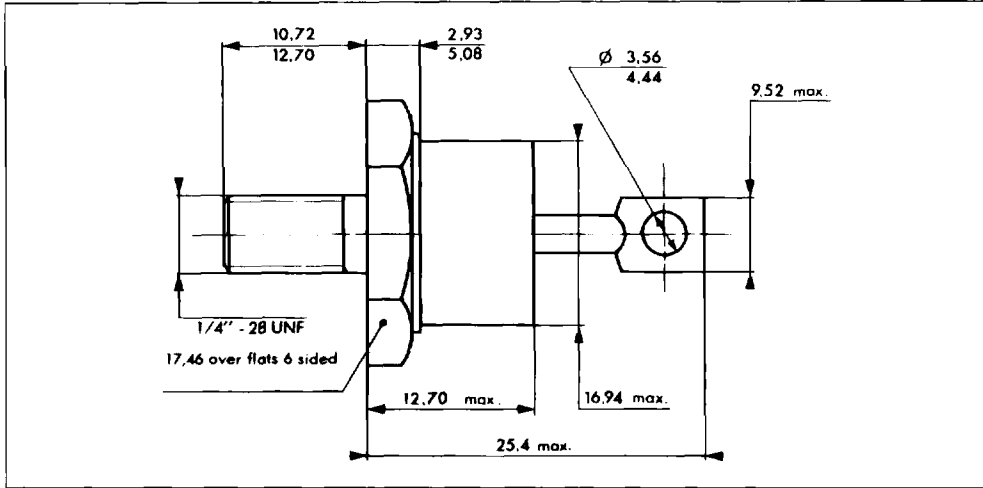
**ELECTRICAL CHARACTERISTICS**

Symbol	Test Conditions		Min.	Typ.	Max.	Unit
$I_R$	$T_j = 150^\circ\text{C}$	$V_R = V_{RRM}$			500	$\mu\text{A}$
$V_F$	$T_j = 25^\circ\text{C}$	$I_F = 110\text{A}$			1.5	V

\* Single phase, half wave, resistive or inductive load

**PACKAGE MECHANICAL DATA**

DO 5 Metal



Cooling method : by conduction (method C)

Marking : Cathode connected to case : type number

Anode connected to case : type number + suffix R (consult us for these reverse version datasheets)

Weight : 18.84g

Recommended torque value : 250cm. N

Maximum torque value : 310cm. N